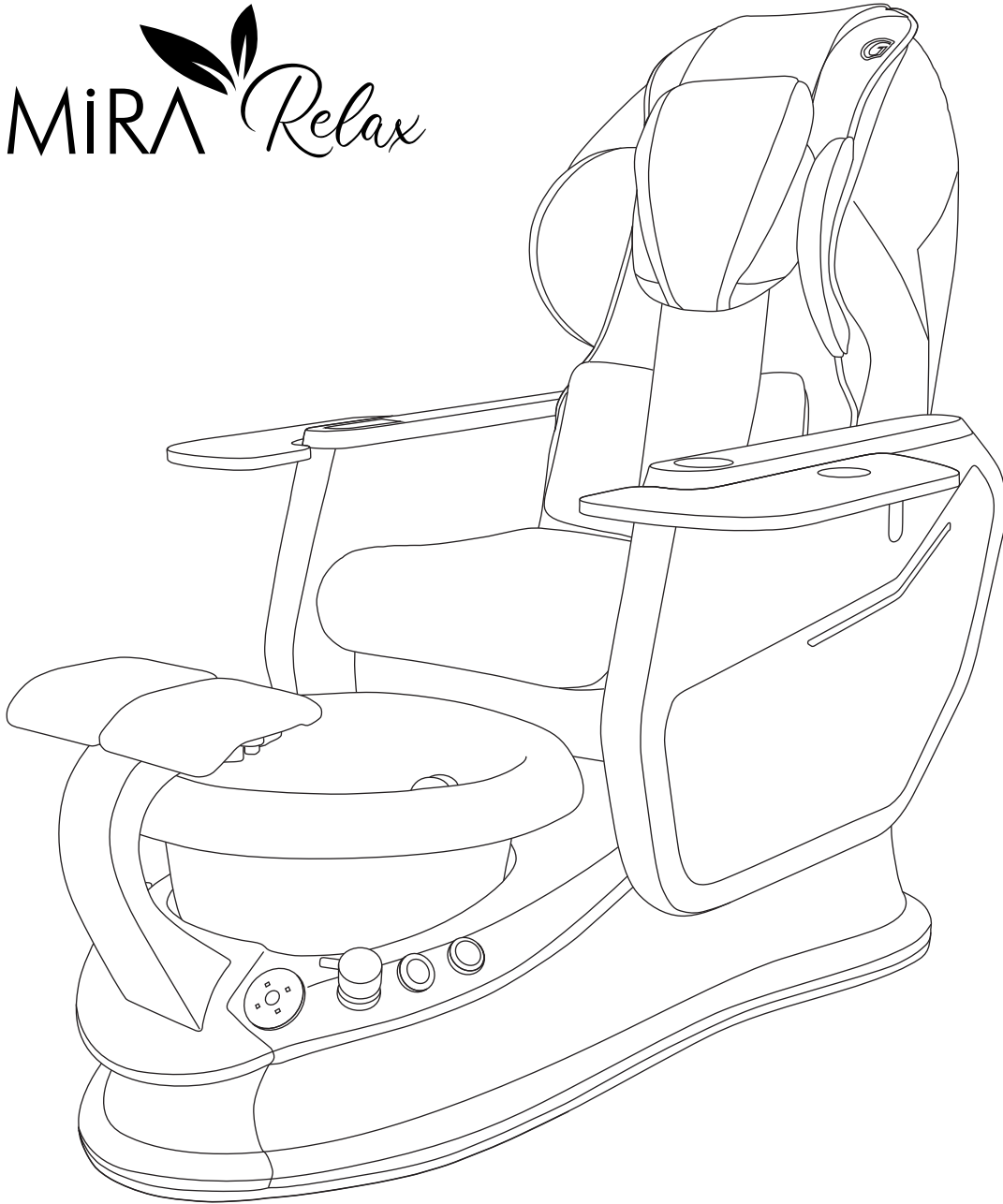


OWNER MANUAL

PLEASE SAVE THIS MANUAL
FOR FUTURE REFERENCE

MIRA  Relax



The  **OneJet**™

 **Gulfstream**

ONEJET®, **MIRA RELAX™**, **Gulfstream Inc.®** are trademarks of Gulfstream Inc.

Patent #D709619, #8726430, #8680699, #D701318, #8662848, #8531048, #8366418, #D670938, #D670354, #D662340, #D660444, #D650084, #D646082, #D636090, #D632798, #D628704, #D615326, #D613099, #D612509, #D610697, #D600950, #D596883, #D596882, #D590188, #D589285, #D588844, #D583960, #D583576, #D583171, #D565739, #D556480, #7111334, #6991182

© 2026 All rights reserved. Design and Specifications are subject to change without notice.

Table of Contents

Owner Manual

Safety and Precautions	1-2
Identifying Parts.....	3-4
Foot-Spa Clearance	5
 INSTALLATIONS	
Attaching Seat	6
Jet Units & Liner Installation	7-8
Plumbing Connections	9-10
Operations and Use	11-12
Cleaning & Maintenance	13
IDJET and ONEJET	14-15
Warranty & Service	16

Thank you for choosing the **Mira Relax Spa** from Gulfstream Inc. For a safe and successful installation, please read the instructions carefully. Proper installation will provide years of enjoyable service and relaxation.

Important Safety Requirement:

This product must be connected to a branch circuit outlet protected by a Class A Ground Fault Circuit Interrupter (GFCI). Regular testing of the GFCI is essential to ensure continued protection and correct operation.

If a Class A GFCI-protected outlet is unavailable, **DO NOT USE THIS PRODUCT**. Please consult a licensed electrician to install a Class A GFCI in accordance with local electrical codes or equivalent.



Warning

**THIS PRODUCT IS DESIGNED FOR INDOOR USE ONLY.
BEFORE SERVICING OR CLEANING, DISCONNECT THE POWER SUPPLY CORD.**

Installation and Usage Guidelines: The foot-spa must be installed by a licensed plumber and electrician, adhering to local codes and the provided Plumbing and Electrical Installation instructions. This ensures warranty validity and optimal safety.

Weight Capacity: The chair and spa have a maximum seating capacity of 350 pounds.

Important Safety Notice: The foot-spa bowl is not intended to be stood in or used as a step. This may cause severe damage to the unit as well as possible serious injury to the person.



Warning

If a crack occurs in the glass bowl, do not manually handle the bowl unless proper attire is worn. Under no circumstances may the bowl be used by customers, as you could be held accountable for any injury that may occur. Gulfstream is not liable for any injury that may occur.

BASIC PRECAUTIONS:

1. Read and follow all instructions.
2. **Danger:** To reduce the risk of injury, do not permit children to use this unit unless they are supervised at all times.
3. Use this unit only for its intended purpose, as described in this manual. Do not use attachments not recommended by the manufacturer.
4. Never drop or insert any object into any opening.
5. Do not block jets during whirlpool operation.
6. Connect the unit to an electrical supply circuit protected by a ground fault circuit interrupter.
7. The JET is inductively driven and doubly insulated, eliminating the need for bonding.



Warning

1. Hot water is dangerous; check the temperature before using.
2. The maximum water temperature should not exceed 100°F-Fahrenheit (or 37.8°C-Celsius).
3. Enter and exit the Foot Spa slowly and carefully.
4. Never bring or operate electrical devices near the Foot Spa.
5. Never run the pump (jet/motor) unless its body is fully submerged in water.
The water level in the bowl must be above the top of the JET body.
Do not run the JET dry.

GROUNDING METHODS

Because this unit must be connected to a circuit with a ground-fault circuit interrupter (GFCI), DO NOT use a grounding adapter.

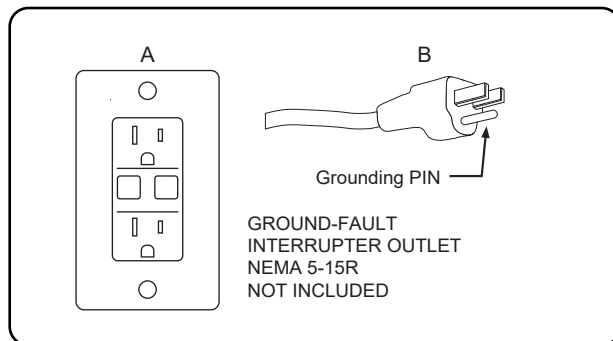
The use of a grounding adapter is prohibited in Canada by Part I of the Canadian Electrical Code.

GROUNDING INSTRUCTIONS

This appliance must be plugged into an outlet equipped with a ground-fault circuit interrupter. The ground-fault interrupter can be in the outlet shown in illustration A or in the circuit breaker (fuse) box. If your outlet or circuit breaker (fuse) box is not equipped with a ground-fault interrupter, you must have your electrician install one (5 amps/unit required).

In the event of an electrical short-circuit, the ground-fault circuit interrupter will turn off the electrical power to the unit immediately, greatly reducing the likelihood of serious injury. This appliance is for use with a nominal 120-volt circuit and has a grounding plug that looks like the plug illustrated in the sketch. The outlet must be properly installed and grounded in compliance with all local codes and ordinances.

If it is necessary to use an extension cord, use only a three-wire extension cord that has a three-blade grounding plug and a three-slot receptacle that will accept the plug on the appliance. Replace any damaged cord.



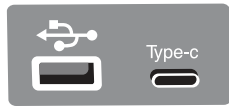
COMPLIANCE WITH LOCAL CODES AND/OR INSPECTIONS IS THE RESPONSIBILITY OF THE PURCHASER AND/OR INSTALLER.

OPERATION AND USE INSTRUCTIONS, (READ AND FOLLOW ALL INSTRUCTIONS)**Warning**

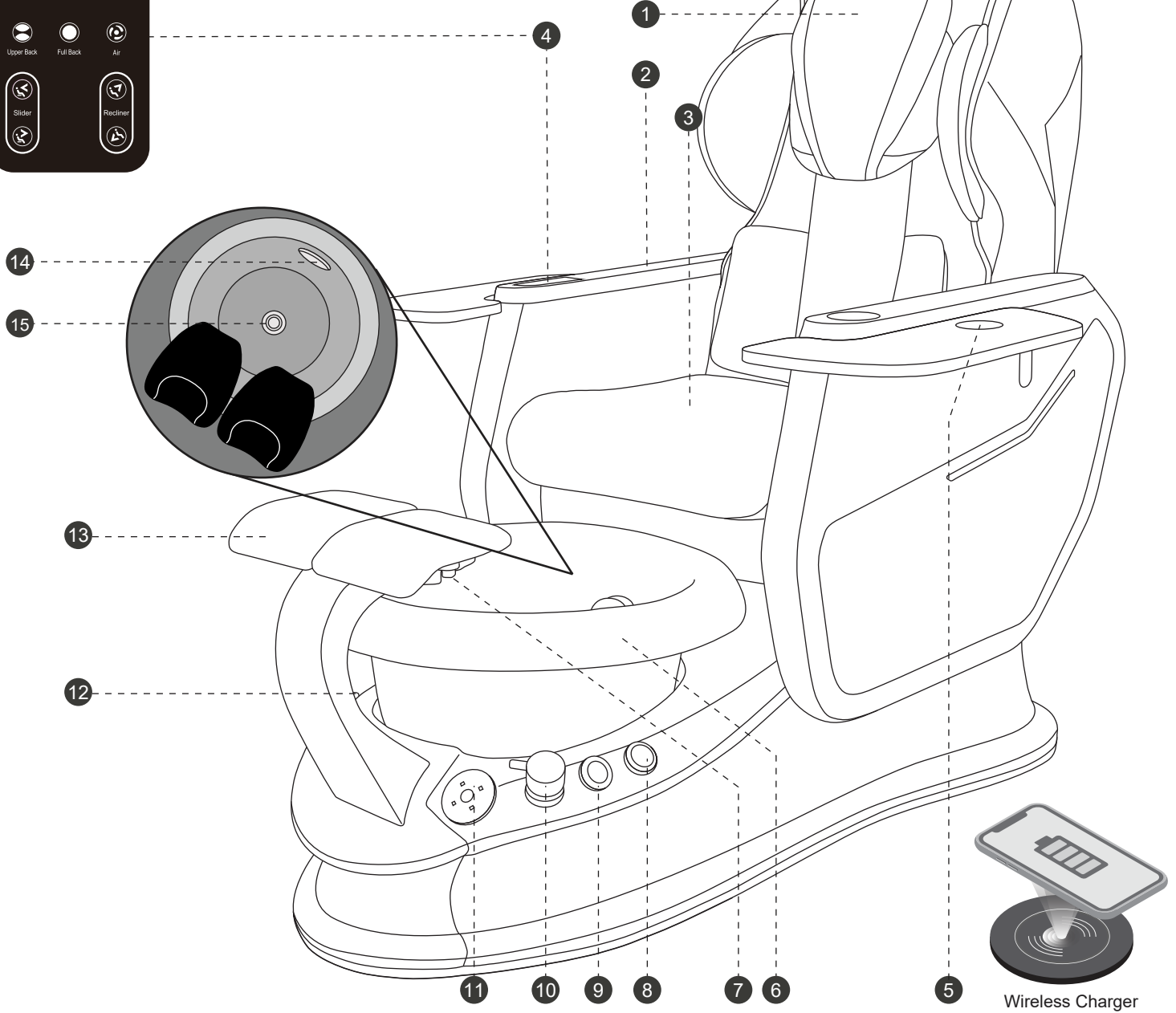
IMPORTANT! At the end of the day, **ALWAYS** turn the main power OFF! including the power switch on the chair.

1. **DANGER:** To reduce the risk of injury, do not permit children to use this unit unless they are closely supervised at all times.
2. **CAUTION:** This unit should not be used by persons with open wounds, cuts or sores on their feet or legs, or by persons with poor circulation, or by persons with heart conditions. If in doubt, the client should consult with his or her physician.
3. Use this unit only for its intended use as described in this manual. Do not use attachments not recommended by the manufacturer
4. Do not operate with a damaged cord or plug. If unit malfunctions or is damaged in any manner, contact an authorized service representative for examination or repair.
5. Never drop or insert any objects into any opening.
6. Do not block jets during pedicure operation.
7. Water temperature should be checked before use. Water temperature should never exceed 100 degrees Fahrenheit.
8. Never bring any electrical devices into the unit or operate electrical devices near it.
9. The unit must be connected to a supply circuit that is protected by a ground-fault circuit interrupter (GFCI).
10. Connect the unit only to a properly grounded outlet. See grounding instructions.
11. Close supervision is necessary when the unit is used by, on or near children or invalids.

IDENTIFY YOUR FOOT-SPA



A convenient charging station is located on the right side arm, featuring both USB Type-A and USB Type-C ports to easily charge your devices.

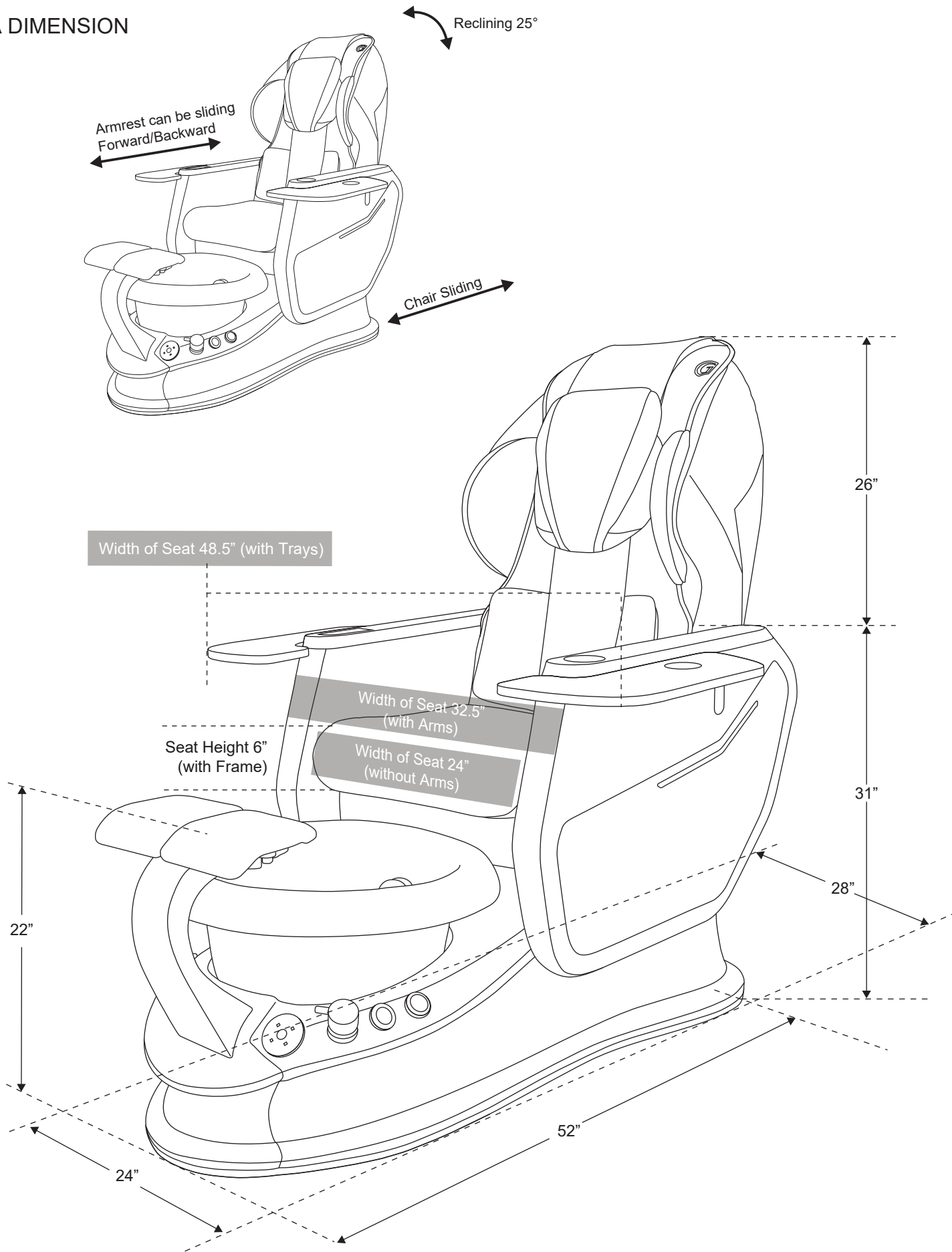


- 1. Back Headrest Pillow
- 2. Arm Rest
- 3. Seat Cushion
- 4. Integrated Remote Control
- 5. Manicure Arm Tray with Wireless Charger
- 6. Glass Bowl
- 7. Hand Spray Under Footrest

- 8. Chair Forward and Backward Button
- 9. Jet Control (ON/OFF) Button
- 10. Water Mixer Control
- 11. AirVent
- 12. Drain Control (Optional)
- 13. Adjustable Footrest
- 14. Jet Mount
- 15. Drain Hole

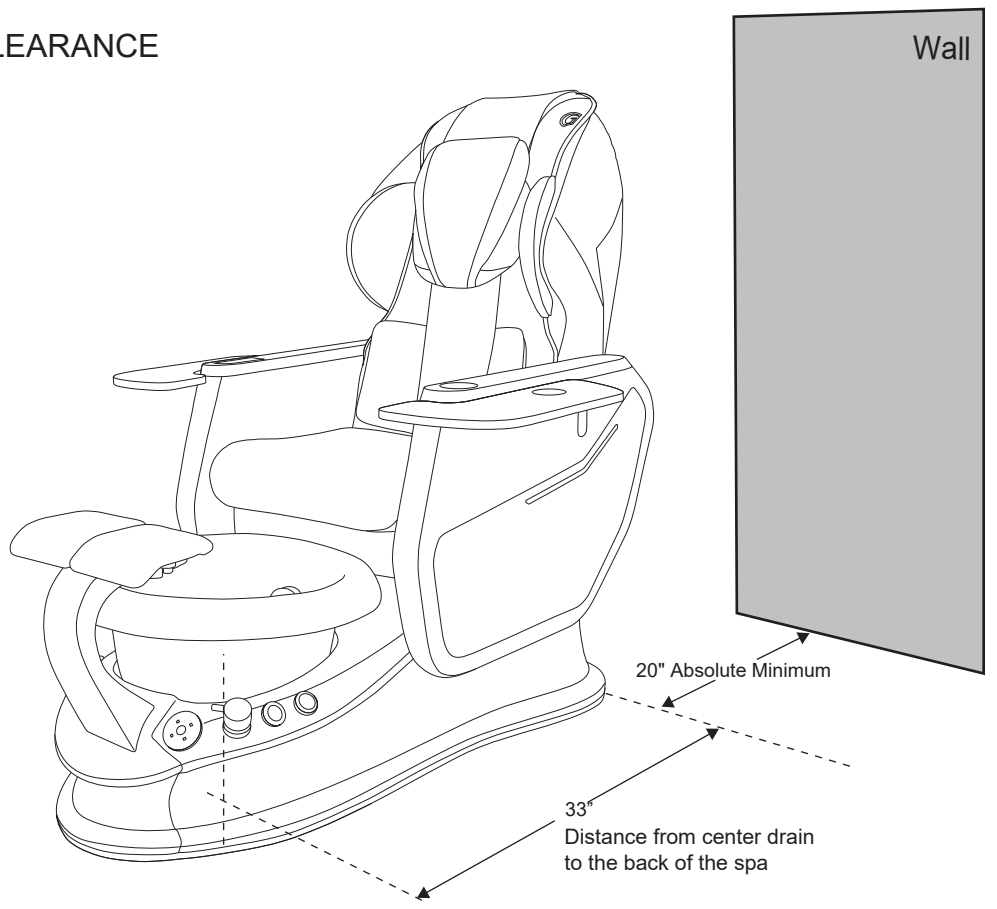
IDENTIFY YOUR FOOT-SPA

SPA DIMENSION

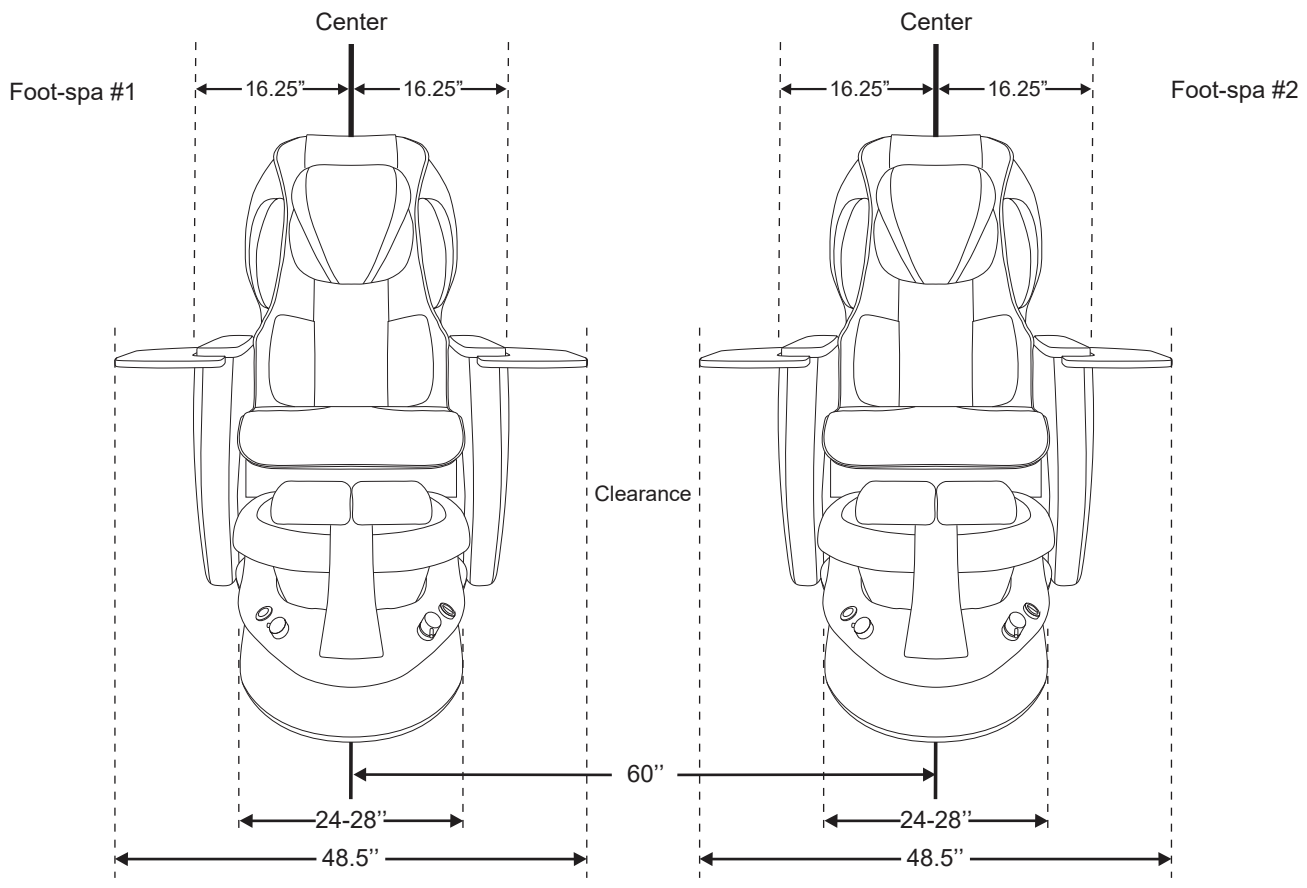


FOOT-SPA CLEARANCE

WALL CLEARANCE



TYPICAL FOOT-SPAS



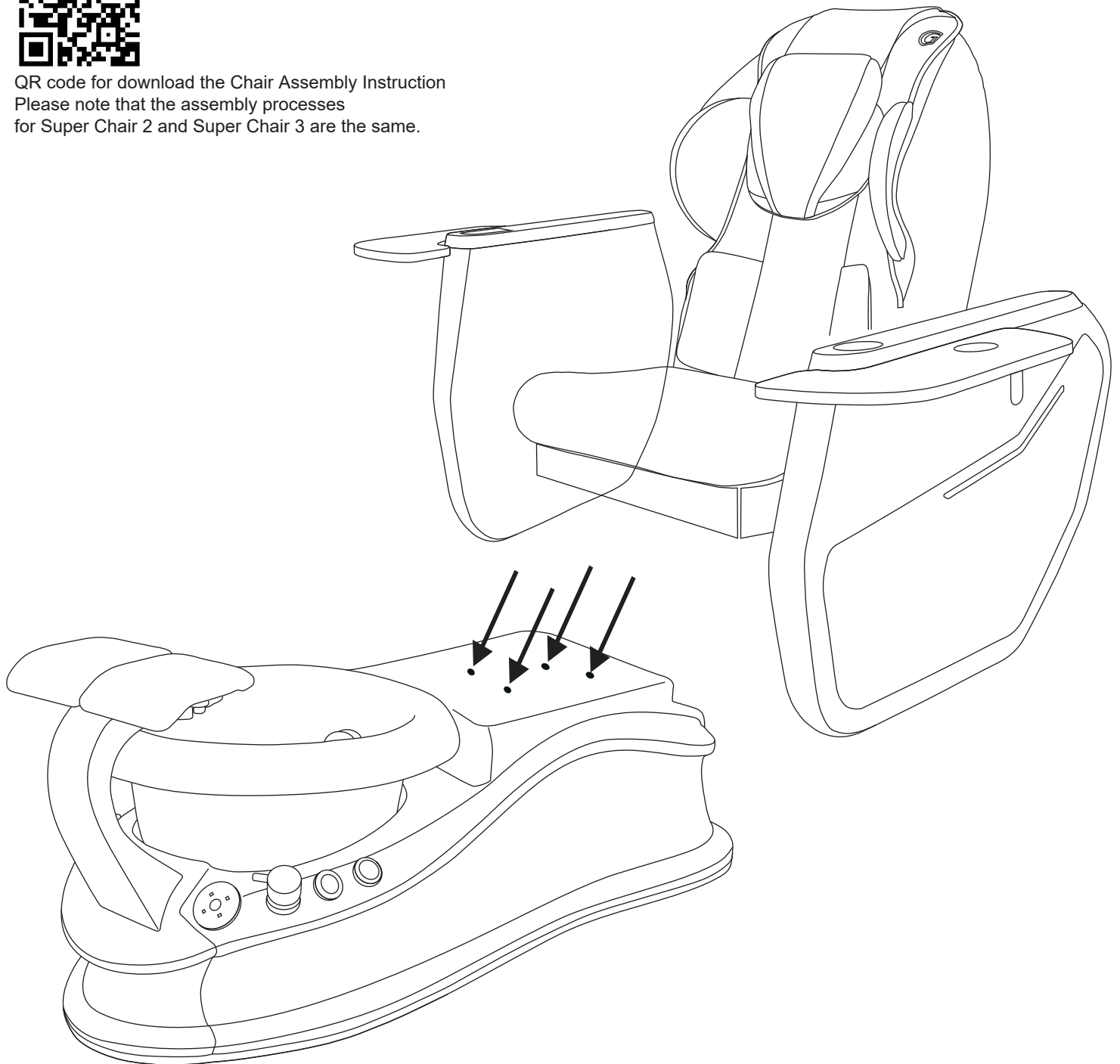
Attaching The Seat to The Base

Please scan QR code below or go to Super Relax 2 Spa page; <https://gulfstreaminc.com/product/super-relax-spa-2>
go to the Download Section below of page then you can download "Chair Assembly Instruction" as a PDF file

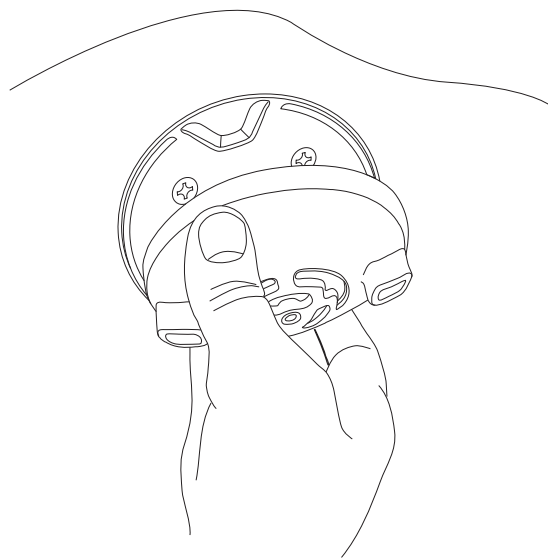
Please note that the assembly processes for Super Chair 2 and Super Chair 3 are the same.



QR code for download the Chair Assembly Instruction
Please note that the assembly processes
for Super Chair 2 and Super Chair 3 are the same.



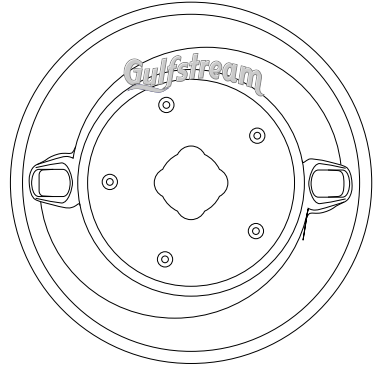
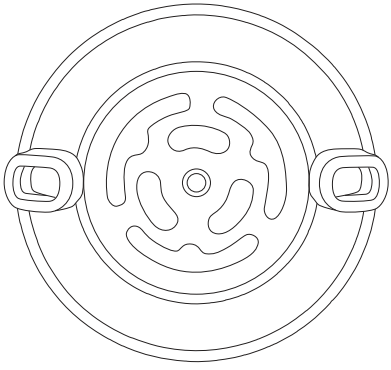
Jet Units



ID Jet

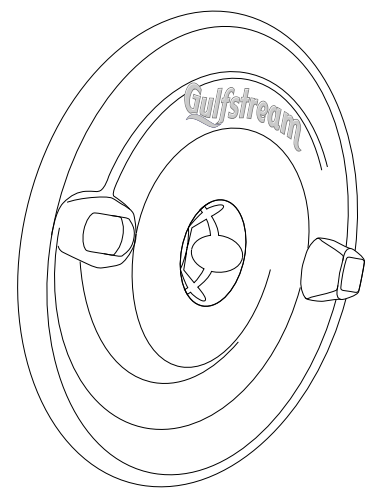
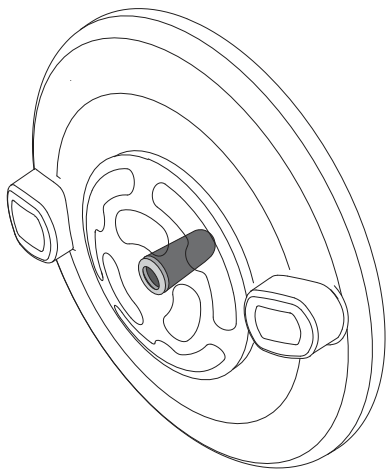


The OneJet™

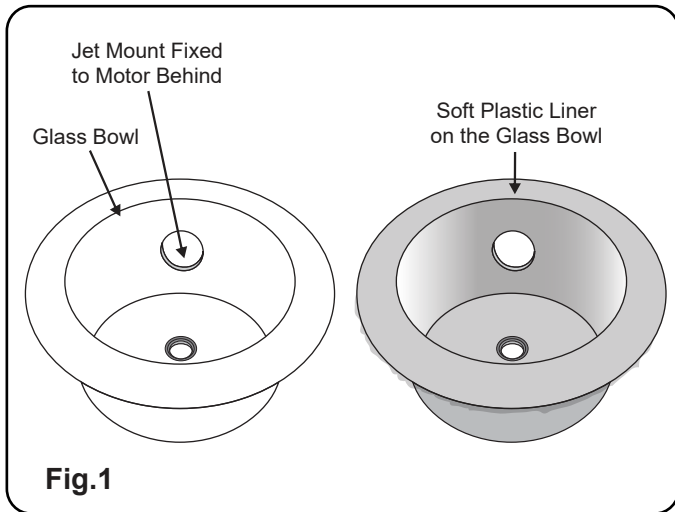


We recommend that you follow the cleaning instructions on page 13.

One-Time Use, 100% Disposable, Hygienic



Poly Liner Installation



Fit elastic edge over bowl rim and form liner to bowl contours as shown in the Fig.1

Align the impeller unit and shoe onto the Jet Mount as shown in Fig.2

To remove, pull the impeller unit as shown in Fig.3 from the Jet Mount and pierce liner over drain, then once drained, pull up the plastic liner.

To avoid risk of infection disease, discard the liner after each use.

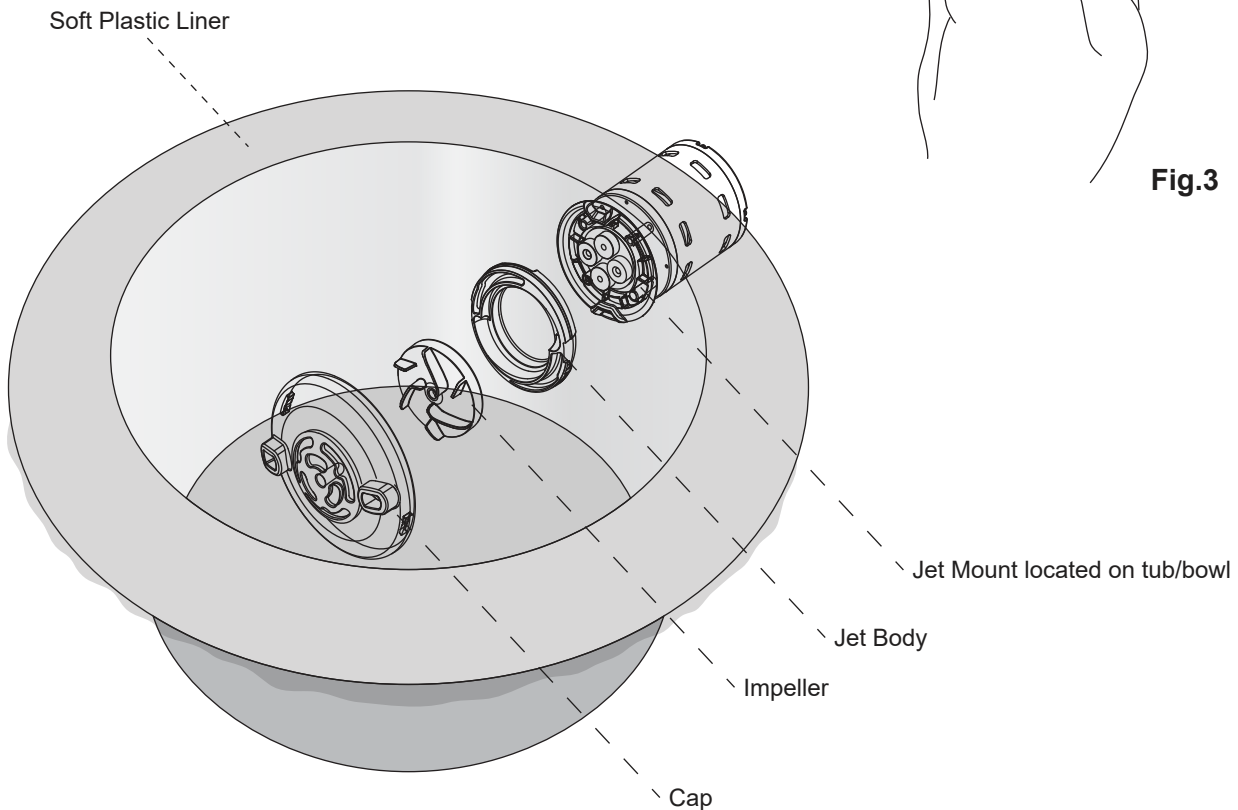
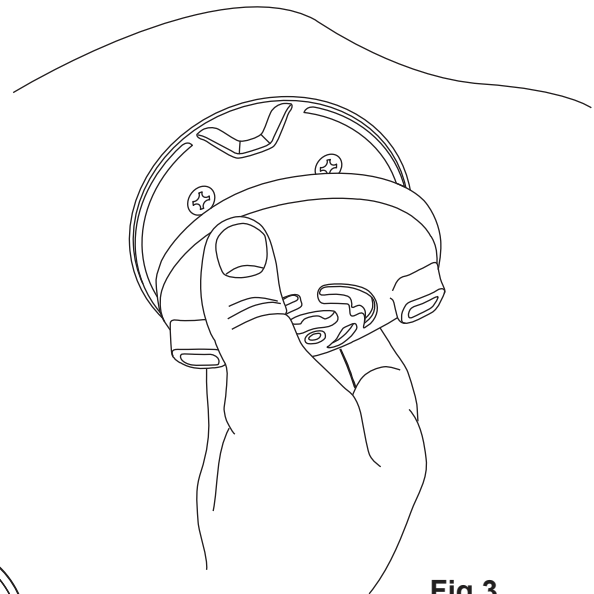


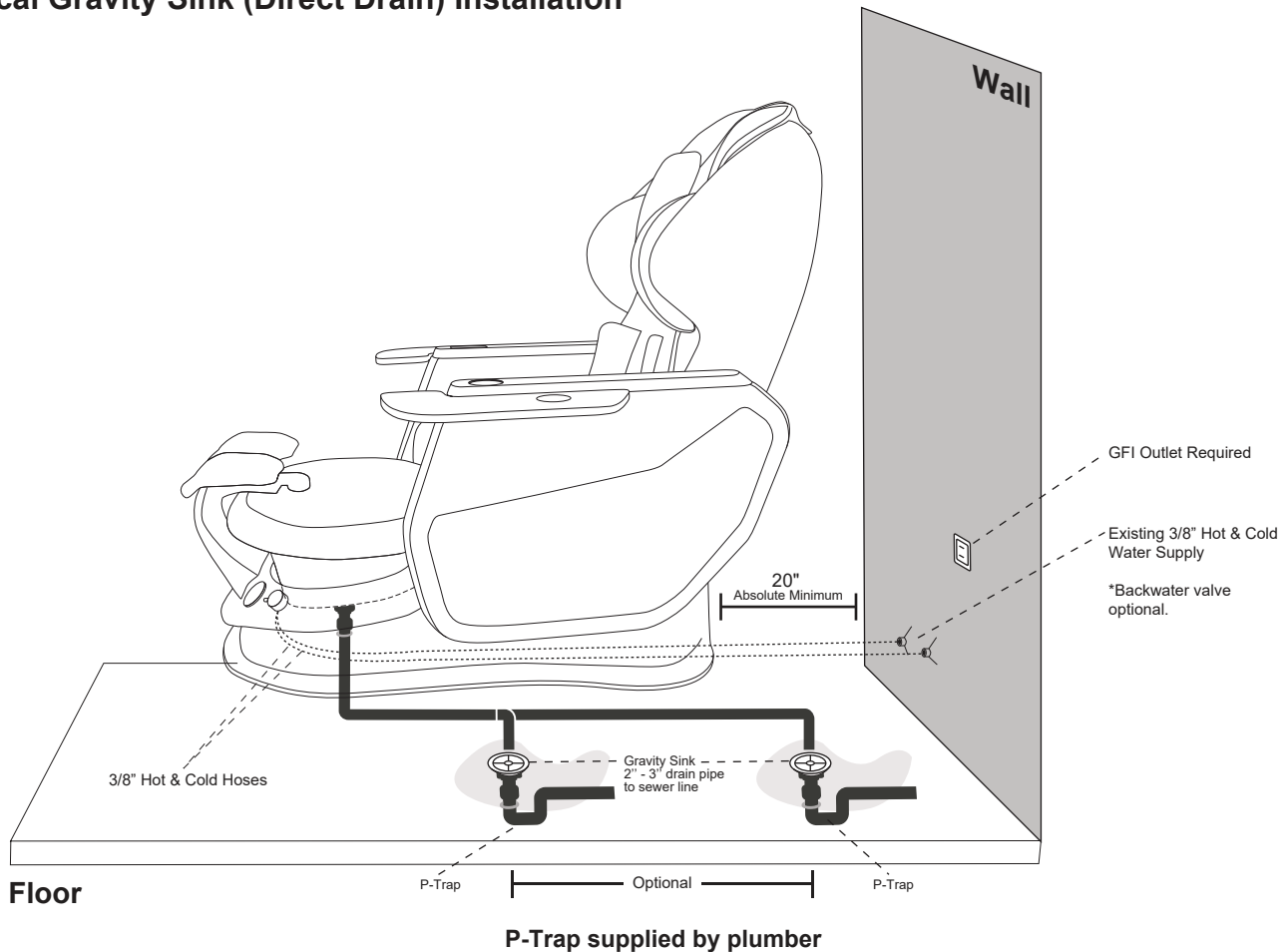
Fig.2

Plumbing Connections

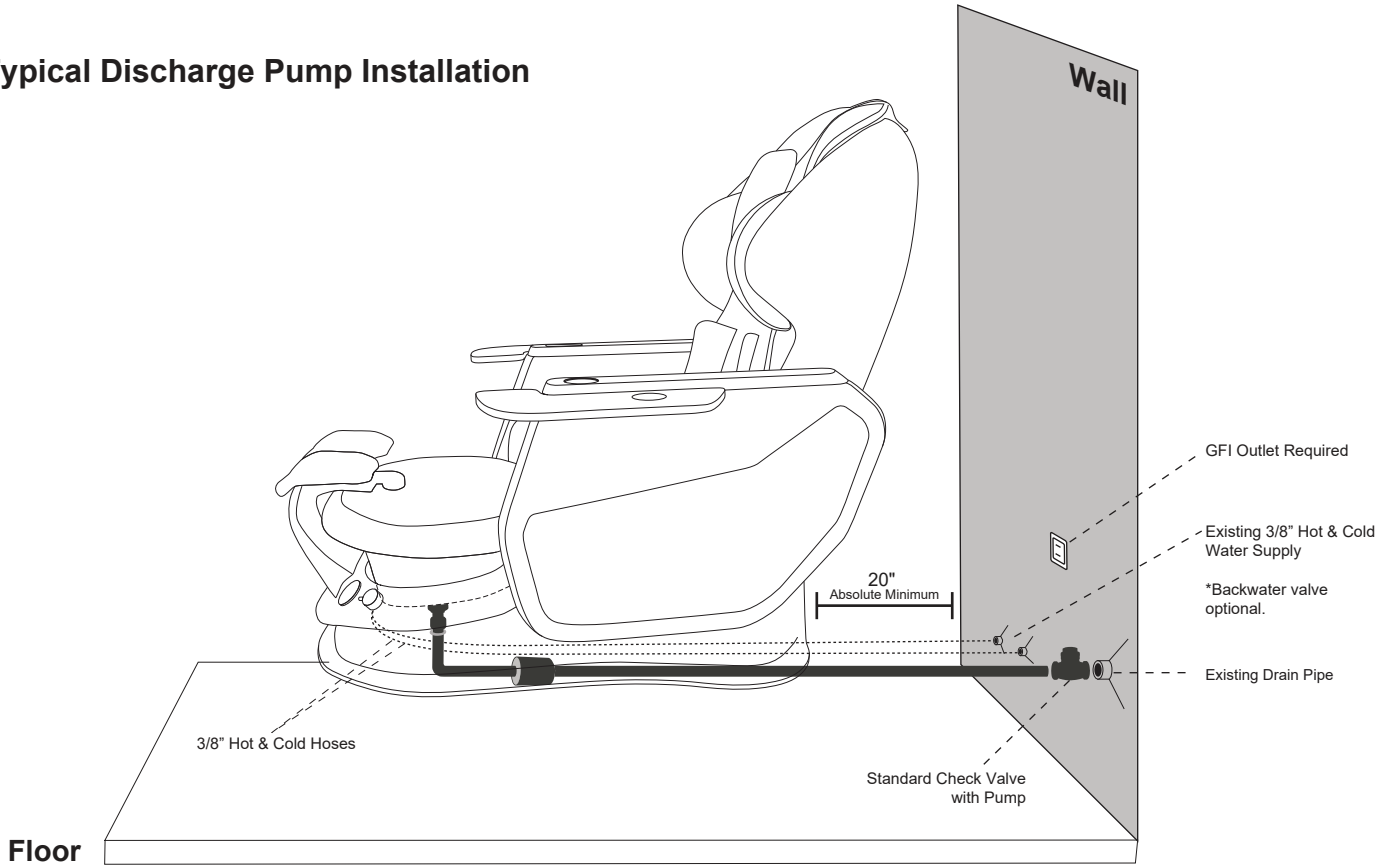
1. Discharge pump may be connected to an existing sink drain or floor drain. It can also pump up to 7 ft. high, but this will increase the length of the drain time. The drain connection is at the rear of the unit by a 1/2" fitting.
2. Gravity drain uses a standard gravity drain. A floor drain is recommended. P-Trap is not installed nor supplied. The floor drain should already have a P-Trap and the UPC codes do not allow double P-Traps in the system.
3. Hot and cold water supply connections are located at the rear of the unit (3/8" fittings). Please be advised that the hot and cold water supply lines are not fitted with optional back flow Preventers unless ordered at initial sale.
4. Have a qualified licensed electrician to install the wiring according to local codes. The ONEJET is 1/18 HP, 120V A.C., 0.55 AMP. 60HZ. GFI protected circuit must be used to supply power to the unit. The roller back massage chair uses a 115V A.C. supply.
5. Spa base should be anchored securely to the floor. The base may be anchored through the opening in the back of the base wherever access is convenient for the installer.
6. Hand held sprayer is Model ST700.20. It has complied with applicable requirements of ASME A112.18.1-2005/CSA B125.1-05

FAILURE TO ANCHOR THE BASE MAY RESULT IN PERSONAL INJURY OR DAMAGE TO THE UNIT. DAMAGE AS A RESULT WILL VOID THE WARRANTY.

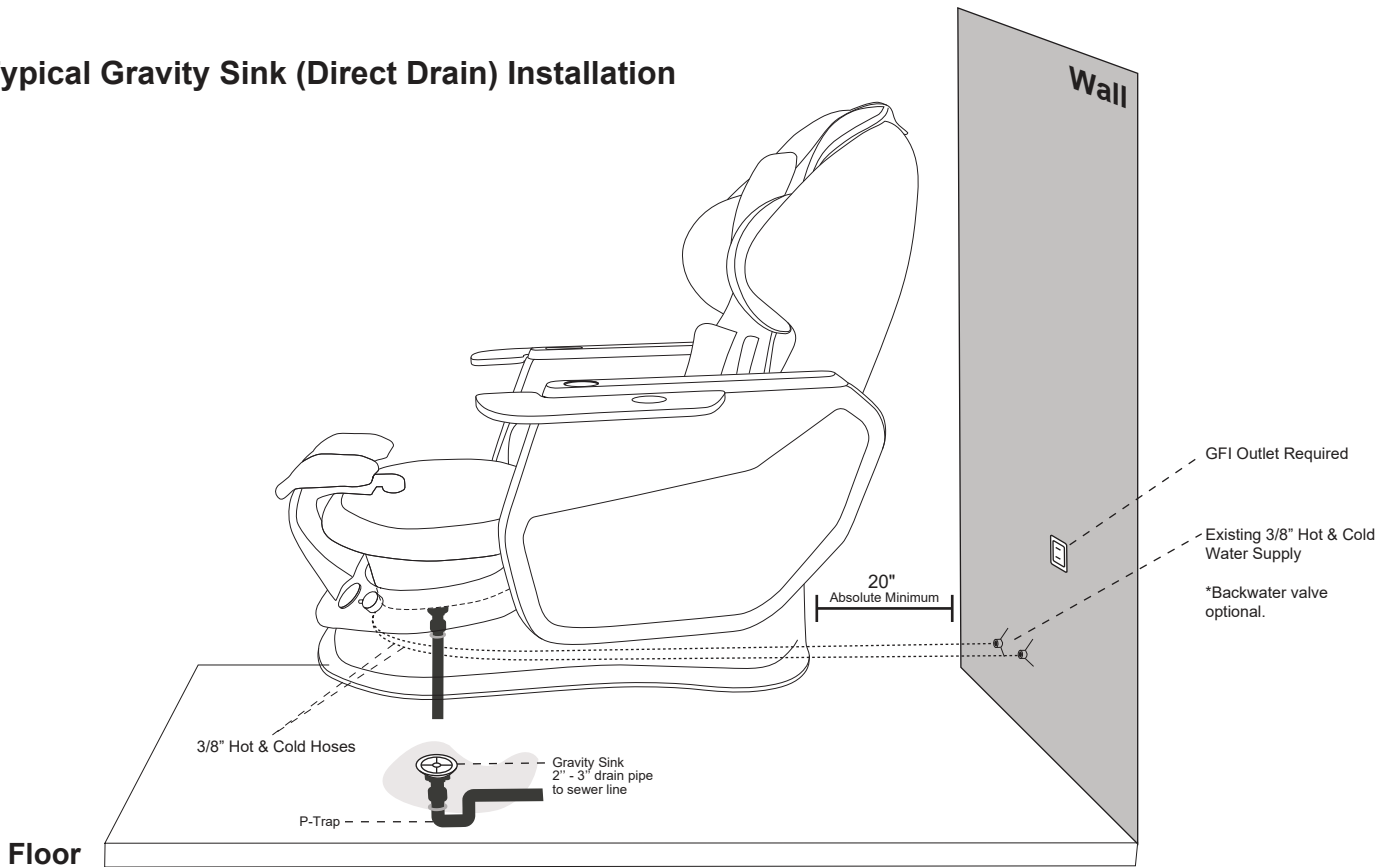
Typical Gravity Sink (Direct Drain) Installation



Typical Discharge Pump Installation



Typical Gravity Sink (Direct Drain) Installation



1. To fill water:

The foot-spa is provided with a single hot and cold mixing valve located on the front of your spa. This is a pressure balance valve that requires you to lift the handle to start the water flow and to adjust to the temperature that is desired. The ONEJET body must be completely below/inside the water level.

CAUTION: DO NOT USE FOAMING, SUDSING OR MINERAL OIL BASED ADDITIVES IN THE WATER.

2. To start whirlpool:

Press the "J" labelled button. This will start your ONEJET motor. You may stop the whirlpool function by pressing the button again.

3. To drain Footspa bowl:

Turn the drain control knob to the 'pop-up' drain plug.

- If gravity drainage is used (i.e., no discharge pump), the water in the bowl will empty at a rate determined by the wastewater plumbing characteristics.
- If an optional discharge pump has been installed, press the discharge pump button to activate the 2-minute timer-controlled pump. The average drain time is approximately one minute, depending on plumbing characteristics.

4. The Shiatsu Roller back massage chairs feature a state-of-the-art robotic massage system.

This system is user-friendly and easy to operate. The Integrated Remote Control includes a one-touch power button that initiates a pre-programmed massage session. Additionally, various massage functions can be selected via the remote. The chair's position can also be adjusted, allowing for forward and backward movement as well as reclining to the client's preferred position.

Note: Please read and follow the instructions in the Chair Manual carefully.

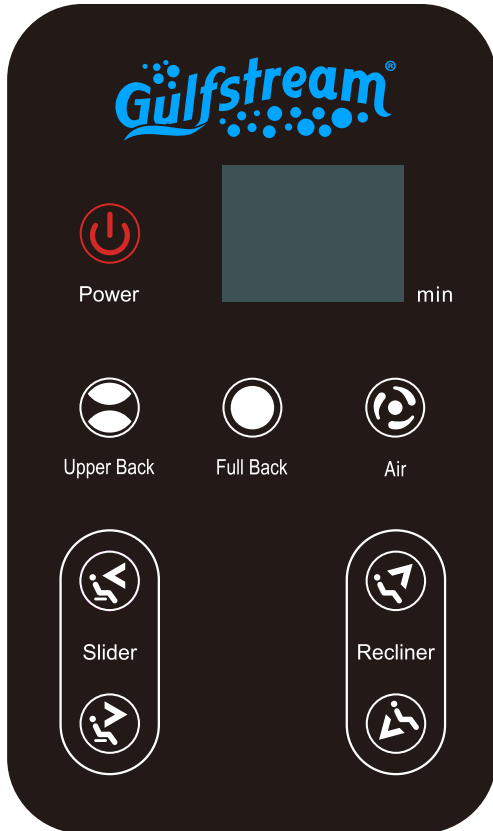
BASIC PRECAUTIONS:

1. To ensure safe operation, always observe the following precautions: Read and follow all instructions carefully.
2. **WARNING:** To minimize the risk of injury, children should only use this unit under adult supervision at all times.
3. Use this unit solely for its intended purpose as described in this manual. Avoid using unauthorized attachments.
4. Never drop objects or insert items into openings.
5. Keep the ONEJET unobstructed during whirlpool operation.
6. Connect the unit to a grounded electrical supply circuit protected by a ground fault circuit interrupter (GFCI).
7. Note: The ONEJET operates via magnetic induction and features double insulation, eliminating the need for bonding.

Save these instructions for future reference.

Shiatsu Remote Control

Please refer to instruction manual for operations



LED Trim Remote (LED Light with wireless remote are optional.)



A conveniently located auxiliary button to help the technician move the customer's seat back/forward easily.

Refer to the Diagrams to Remove Jet Covers for Cleaning.

Gulfstream Inc. highly recommends the following cleaning regimen. Before proceeding, please consult your local governing agency for specific cleaning and disinfecting requirements and regulations for pedicure spas. For your clients' safety, adhere to these regulations as the minimum standard for cleaning and disinfecting. Combining your state's standards with the regimen below will provide a safe and healthy pedicure spa environment experience.

Routine Maintenance:

1. Avoid using powdered cleansers or abrasives.
2. Typically, a clean towel or sponge is sufficient for cleaning.
3. For excessive residue, use a soft-bristled brush.
4. Clean the upholstery with a mild soap and water solution, avoiding over-saturation. Wipe dry with a clean towel.
5. No internal maintenance of the spa components is necessary.
6. Remove JET caps and spray with disinfectant after each use.
7. For extra protection, flush the system daily or weekly, depending on usage. To flush the JET system:
 - Fill the spa with hot water to just above the jets.
 - Add disinfectant.
 - Run the whirlpool for 15 minutes.
 - Drain and wipe dry with a clean, soft cloth.

Important Distinctions: Cleaning, Sanitizing, and Disinfecting

According to the Centers for Disease Control and Prevention (CDC) and the US Environmental Protection Agency (EPA), it is essential to understand the differences between cleaning, sanitizing, and disinfecting.

Specifically:

- Cleaning removes dirt, grime, and other substances from surfaces.
- Sanitizing reduces pathogenic microbes by 99.9%.
- Disinfecting, on the other hand, requires a reduction of pathogenic microbes by 99.999%.

Effective Cleaning of Whirlpool Pedicure Spas

To maintain a clean and hygienic environment, whirlpool pedicure spas require specialized cleaning agents.

These should include surfactant and chelating detergents that are:

- Low-foaming
- Capable of removing body oils, organic oil additives, mineral oil, skin cells, nail clippings, and other substances that can accumulate in the basin and jets

These substances can create an environment conducive to the growth of microorganisms, emphasizing the importance of proper cleaning and disinfection protocols.

Important Maintenance Considerations

The use of oil-based products can lead to buildup in the whirlpool system, causing clogs in the jets. Adhering to the cleaning protocol outlined above will help minimize this buildup. Gulfstream Inc. strongly advises against using mineral oil-based products.

Initial Testing and Flushing of Foot Spa

After installing the foot spa, perform the following steps:

1. Fill the tub with water to just above the jets.
2. Inspect the drain and motor mount areas for any signs of leaks.
3. Once the underside has been checked, activate the system by pressing the whirlpool button and observe the system for leaks as the water circulates.
4. Allow the tub to complete a full cycle.
5. Finally, open the drain plug to discharge the water.

Cleaning The Jet (Step by Step)



Warning - Do not run IDJET® without the jet being completely submerged in water. This will void your warranty

IDJET Components



Cap



Impeller

1. Pull Jet off from the Jet Mount in the pedicure bowl.
2. Turn the Cap off the Jet counter-clockwise.
3. Separate the three components of the Jet: Cap, Impeller and Jet Body.
4. Wash each component of the Jet in a recommended or high quality solution or cleaning agent.
5. Reassemble the Jet using the following directions:
 - Place the impeller with blades facing up in the center of the Jet Body.
 - Take Cap and turn clockwise with Jet Body until click.
 - Place on Jet Mount.



Jet Body

One-Time Use, 100% Disposable, Hygienic

Giving you peace of mind, while enjoying your pedicure.



The **OneJet**™

We care about your pedicure safety;
your pedicure experience is our highest priority.

Using One-Jet with disposable liner for each customer is providing the highest Hygiene & Sanitization Standards.

- One-Jet 100% Disposable for Just One-Time use
- One-Jet 100% Hygienic
- Germs are discarded with this one-jet

Each customer gets a brand new jet – no cross-contamination
Giving you peace of mind, whilst enjoying your pedicure.

Gulfstream warrants to the original purchaser that the new pedicure spa will be free from defect during the Standard Warranty Period (listed below). The shipping date and the uniquely-coded Serial Number on the back of each spa chair will justify the start of the warranty period for the product. The warranty is null and void if the pedicure spa is taken from its initial place of installation, or it is not installed in accordance with federal, state or local codes and ordinances. Also, this warranty does not apply if the pedicure spa has been subject to misapplication, improper installation or maintenance, negligence, improper cleaning or other circumstances beyond Gulfstream's control.

Warranty

1. Limited Three(3) Years warranty on Spa Shell.
2. Limited One(1) Year warranty on the Whirlpool Pump.
3. Lifetime Warranty on the OneJet Motor.
4. Limited One(1) Year warranty on the Glass Bowl.
5. Limited One(1) Year Parts-Only warranty which covers the Hydraulic System, Discharge Pump, Massage System and All Electrical Components.
6. Gulfstream will pay standard shipping charges on all replacement parts during the first 90 days of the stated Warranty Period. After 90 days the consumer is responsible for all labor and shipping costs incurred.

Exclusions

1. Damage to pump parts and/or motor parts due to obstruction in plumbing lines etc.
2. Staining, fading or discoloration of plastic surfaces due to exposure and/or the use of harmful cleaning agents or chemicals.
3. Staining, fading or discoloration caused by improper or poor water additives not related to the maintenance of proper water are not covered by this warranty.
4. Staining, fading or discoloration of the seat, armrests or footrests.
5. Freight damage, misuse, neglect, accident, natural disaster and abuse.
6. Unauthorized repairs.

Service

1. The Dealer shall forward all warranty-related matters to our Customer Service Department.
2. Serial Numbers and Original Invoice must accompany all warranty claims.
3. Customers are responsible for shipping defective parts back to Gulfstream. These parts must be packaged correctly in order to protect against any further damage.
4. All parts are to be shipped by UPS Ground Service, average 2-5 days.
5. All defective parts must be shipped back to Gulfstream within 30 days of receiving the new replacement parts or warranty will be void.
6. Any warranty claim that cannot be determined over the phone, the customer must send photos and original invoice directly to Gulfstream before any repairs can be performed.
7. Any service performed on the product without Gulfstreams authorization will also void the Warranty.
8. Each service call from the customer will be assigned a Claim Number. The Claim Number will stay open until the problem is resolved.

No dealer or other person has any authority to bind Gulfstream Inc. to changes or additions to this warranty or its products. Accordingly, Gulfstream Inc. Is not responsible for such warranties or representations.



Manufacturer of Luxurious Pedicure Spas,
High Quality Salon and Spa Furniture

Gulfstream Inc.

Cambridge, Ontario, Canada

Tel.: 519-622-0950

Fax: 519-622-6926

www.gulfstreaminc.com

ONEJET[®], MIRA RELAX[™], Gulfstream Inc.[®] are trademarks of Gulfstream Inc.

Patent #D709619, #8726430, #8680699, #D701318, #8662848, #8531048, #8366418, #D670938, #D670354, #D662340, #D660444,
#D650084, #D646082, #D636090, #D632798, #D628704, #D615326, #D613099, #D612509, #D610697, #D600950, #D596883, #D596882,
#D590188, #D589285, #D588844, #D583960, #D583576, #D583171, #D565739, #D556480, #7111334, #6991182

© 2026 All rights reserved. Design and Specifications are subject to change without notice.